



# ATLV1000

## 1,000 lb. Capacity, Shortbed Crane for Pickup Trucks

Our cranes are a unique, over-center design engineered to provide safer, hands-free lifting and loading of cargo.

Quickly installed onto any full size shortbed pickup, its patented design requires no truck body modifications nor does it use valuable cargo space. It's ultra high-quality materials and manufacturing will endure even the roughest uses and weather conditions. Unlike other products, Our cranes are receiver mounted and therefore easily removed, allowing them to be transferred from one pickup to another.

ATLV Series cranes offer extremely stable, centerline lifting and an unobtrusive design that does not interfere with normal truck functionality.

### Features:

- Drawn-over-mandrel, high-strength, heavy wall steel tubing
- Non-corrosive, stainless steel hardware
- Fully-contained hydraulics
- Premium powder coating for durability
- Manufactured for a shortbed (6 ft.) full-sized pickup truck
- High-quality WARN® brand electric hoist with stainless steel, anti-rotation line
- Self-installed in under two hours
- Adjustable in three planes for accurate truck alignment
- Anti-skid "step"
- No setup required for operation
- Does not interfere with towing capability

### Specification

Lifting/Lowering Capacity	Up to 1,000 lbs.; Requires Class IV 2 inch Receiver or 2 1/2 inch Receiver with sleeve (See Diagram)
Unit Weight	approx. 360 Lbs.
Structural Material	3 1/2" - 4" diameter, 3/8" wall, drawn-over-mandrel, high-strength, steel tubing. Wherever necessary, non-corrosive, stainless steel proprietary parts are used.
Power Load	175 Amp maximum current draw
Power Supply	12v DC, HD Towing Package recommended
Power Supply Wiring	Twin 2-gauge copper wire with quick disconnect
Hydraulics	Bi-directional hydraulic pump and dual counter-balance valve; Hydraulic pressure 3,000 PSI
Hydraulic Fluid	Dexron III Automatic Transmission Oil
Electric Hoist	WARN® brand; 12v DC: Line speed 20 ft/min with 800 lb. load; 7/32" Stainless Steel, anti-rotation line
Stabilizer Jack	Bulldog® brand, heavy-duty swivel jack; Top wind; 10" Travel; 2,000 lb lift capacity

Lift safely on a slope



### Each V1000 Crane Includes:

- Complete wiring harness
- Push-button control pendant and 10 ft. cord
- Stop, Tail and Turn Light
- Heavy-duty stabilizer jack
- Installation Handling Arm

### Towing Adaptor Options:

- Trailer Ball
- Trailer Pintle Hook



### Additional Options:

- Pallet Lifting Attachment
- Ladder Handler Attachment
- Rolling Storage Cart



A long reach allows for long, bulky cargo



Stowes away conveniently

# ATLV1000 (shortbed)

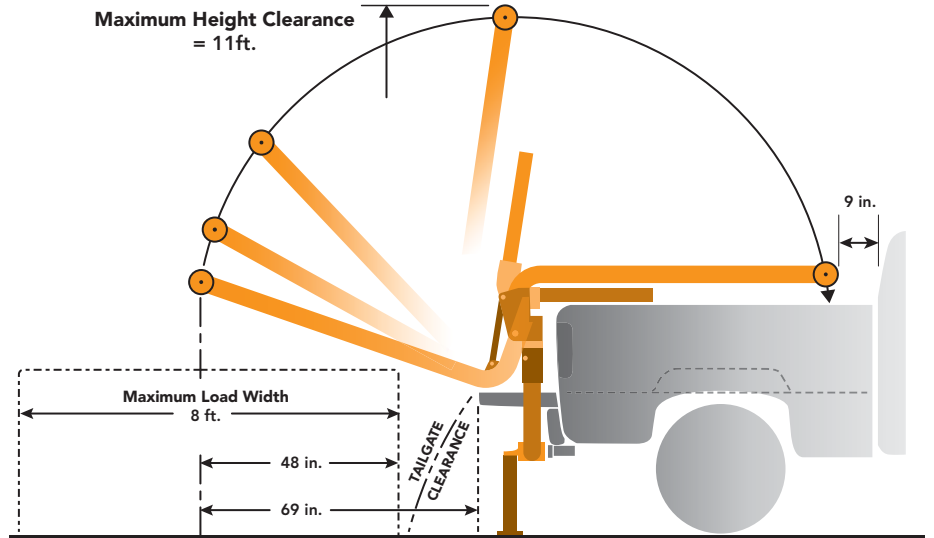
## Requirements

- Full-size pickup: Half-, 3/4- or 1-ton (Certain Nissan Titan models can also be accommodated.)
- Heavy-duty, 2 in. square Class IV or or 2 1/2 in. Class V receiver with sleeve
- 12v DC power supply
- HD Towing Package generally required
- Open bed (no caps or side toolboxes)

## Other Considerations:

- Some tonneau covers may interfere
- Pickups larger than one 1 ton and tailgates wider than 64 inches subject to approval.
- Some stepside body styles are not recommended.

## Distances and Clearances

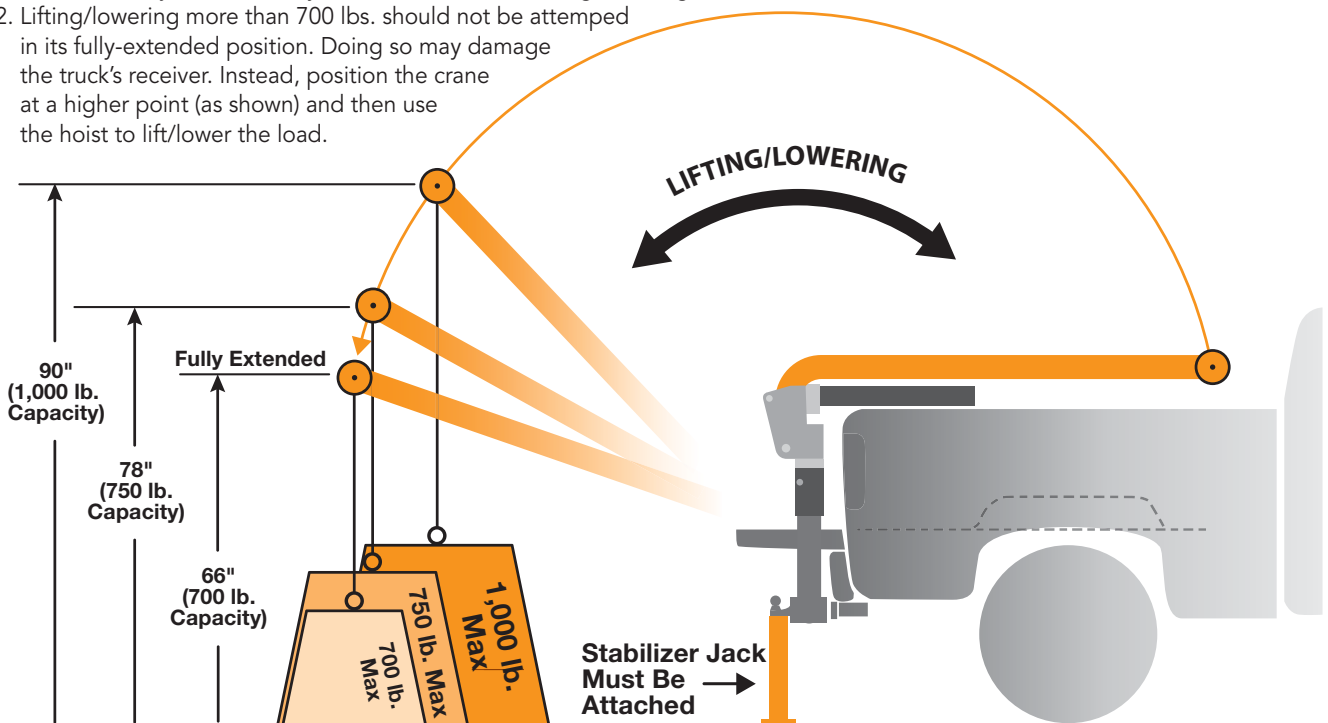


Full dimensional drawing available

## Lifting/Lowering Capacity (Requires Class IV or V Receiver)

### IMPORTANT

1. The stabilizer jack must always be attached before lifting/lowering a load.
2. Lifting/lowering more than 700 lbs. should not be attempted in its fully-extended position. Doing so may damage the truck's receiver. Instead, position the crane at a higher point (as shown) and then use the hoist to lift/lower the load.



### American Top Lift Inc.

208 S McKemy Ave, Chandler 85226, AZ.  
 (520) 260 9660. [www.americantoplift.com](http://www.americantoplift.com)  
[info@americantoplift.com](mailto:info@americantoplift.com)