



# ATLV2100 (long bed)

1,950 lb. Capacity Cranes for 3/4- & 1-ton Pickup Trucks

Our ATLV2100 is a unique, over-center cranes engineered to provide safer, hands-free lifting and loading of cargo.

Quickly installed onto any 3/4-ton or 1-ton pickup truck (long bed or short bed), its patented design requires no truck body modifications nor does it use valuable cargo space. It's ultra high-quality materials and manufacturing will endure even the roughest uses and weather conditions. Unlike some other products, our cranes are receiver mounted and therefore can be easily removed, allowing them to be transferred from one pickup to another.

The ATLV2100 offer extremely stable, centerline lifting and an unobtrusive design that does not interfere with normal truck functionality.

## Features:

- Drawn-over-mandrel, high-strength, heavy wall steel tubing
- Non-corrosive, stainless steel hardware
- Fully-contained hydraulics
- Premium powder coating for durability
- Manufactured for an 8 ft. truck bed
- High-quality WARN® brand electric hoist with up-limit safety and stainless steel, anti-rotation line
- Self-installed in under two hours
- Adjustable in three planes for accurate truck alignment
- Anti-skid "step"
- No setup required for operation
- Does not interfere with towing capability

## Specification

Lifting/Lowering Capacity	Up to 1,950 lbs.; Requires Class V, 2 1/2" Receiver (See Diagram)
Unit Weight	approx. 550 Lbs.
Structural Material	4 1/2" - 5 1/2" diameter, 3/8" wall, drawn-over-mandrel, high-strength, steel tubing. Wherever necessary, non-corrosive, stainless steel proprietary parts are used.
Power Load	175 Amp maximum current draw
Power Supply	12v DC, HD Towing Package recommended
Power Supply Wiring	Twin 2-gauge copper wire with quick disconnect
Hydraulics	Bi-directional hydraulic pump and dual counter-balance valve; Hydraulic pressure 3,000 PSI
Hydraulic Fluid	Dexron III Automatic Transmission Oil
Electric Hoist	WARN® brand; 12v DC: Line speed 10 ft/min with 1,600 lb. load; 1/4" Stainless Steel, anti-rotation line
Stabilizer Jack	Bulldog® brand, heavy-duty swivel jack; Top wind; 10" Travel; 5,000 lb lift capacity

Lift safely on a slope without additional effort



### Each V2100 Includes:

- Complete wiring harness
- Push-button control pendant and 10 ft. cord
- Stop, Tail and Turn Light
- Heavy-duty stabilizer jack
- Installation Handling Arm

### Towing Adaptor Options:

- Trailer Ball
- Trailer Pintle Hook



### Additional Options:

- Pallet Lifting Attachment
- Ladder Handler Attachment
- Rolling Storage Cart



A long reach allows for long, bulky cargo



Stows away conveniently

# ATLV2100 (long bed)

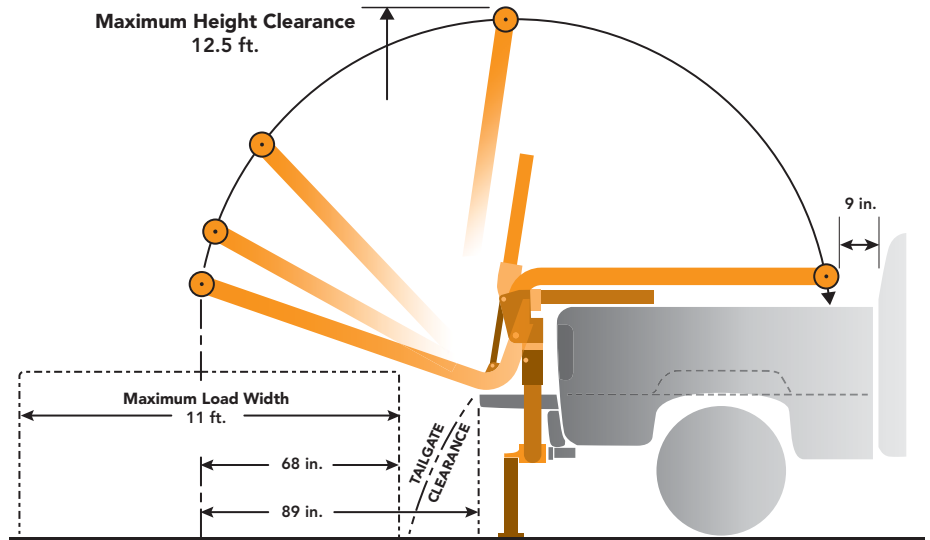
## Requirements

- 3/4-ton or 1-ton pickup trucks (Certain Nissan Titan models can also be accommodated.)
- Heavy-duty, 2 1/2" square, Class V receiver
- 12v DC power supply
- HD Towing Package generally required
- Open bed (no caps or side tool-boxes)

## Other Considerations:

- Some tonneau covers may interfere
- Pickups larger than one 1 ton and tailgates wider than 64 inches subject to approval.
- Some stepside body styles are not recommended.

## Distances and Clearances

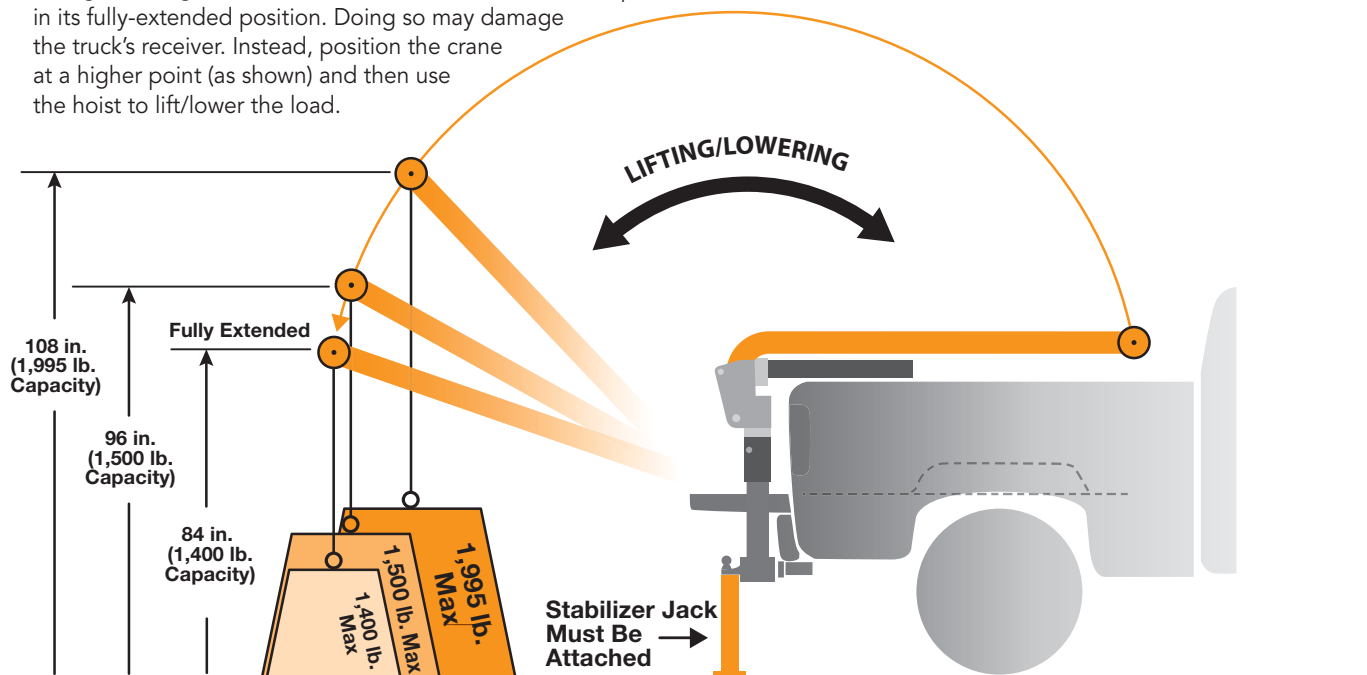


Full dimensional drawing available

## Lifting/Lowering Capacity (Requires Class V, 2 1/2" Receiver)

### IMPORTANT

1. The stabilizer jack must always be attached before lifting/lowering a load.
2. Lifting/lowering more than 1,400 lbs. should not be attempted in its fully-extended position. Doing so may damage the truck's receiver. Instead, position the crane at a higher point (as shown) and then use the hoist to lift/lower the load.



### American Top Lift Inc.

208 S McKemy Ave, Chandler 85226, AZ.  
(520) 260 9660. [www.american toplift.com](http://www.american toplift.com)  
[info@americantoplift.com](mailto:info@americantoplift.com)